



# Nomadic Communications

## WLAN – 802.11

## MAC Fundamentals

Renato Lo Cigno

ANS Group – [locigno@disi.unitn.it](mailto:locigno@disi.unitn.it)

<http://disi.unitn.it/locigno/index.php/teaching-duties/nomadic-communications>

Quest'opera è protetta dalla licenza:

*Creative Commons*

*Attribuzione-Non commerciale-Non opere derivate*

*2.5 Italia License*

Per i dettagli, consultare

*<http://creativecommons.org/licenses/by-nc-nd/2.5/it/>*





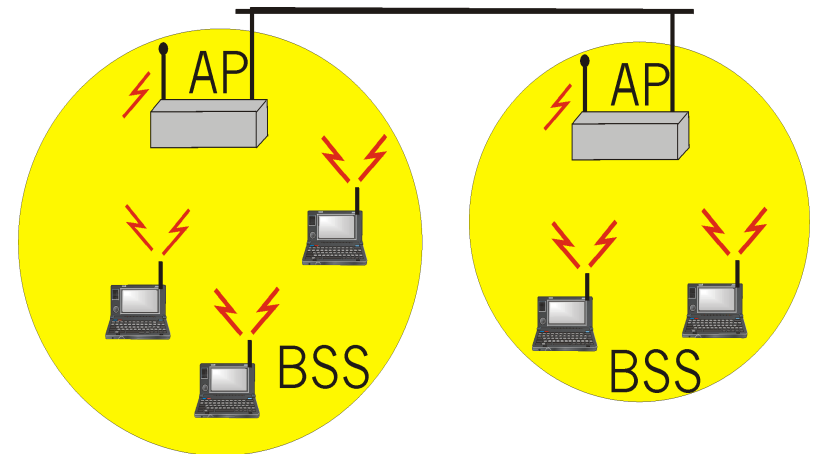
# IEEE 802.11

- Wireless LAN standard specifying a wireless interface between a client and a base station (or access point), as well as between wireless clients
- Defines the PHY and MAC layer (LLC layer defined in 802.2)
- Physical Media: radio or diffused infrared (not used)
- Standardization process begun in 1990 and is still going on (1st release '97, 2nd release '99, then '03, '05, ... '12)

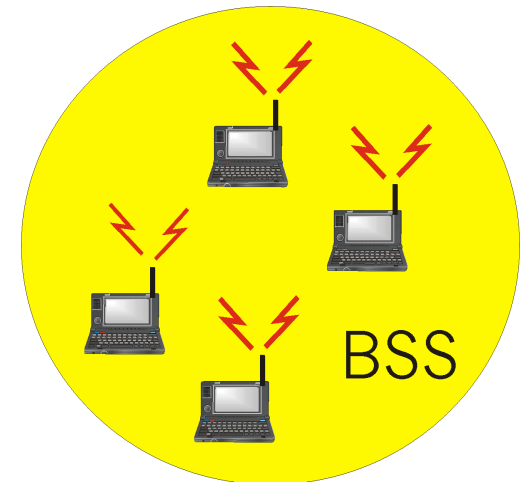


- BSS (Basic Service Set): set of nodes using the same coordination function to access the channel
- BSA (Basic Service Area): spatial area covered by a BSS (WLAN cell)
- BSS configuration mode
  - ad hoc mode
  - with infrastructure: the BSS is connected to a fixed infrastructure through a centralized controller, the so-called Access Point (AP)

- BSS contains:
  - wireless hosts
  - access point (AP): base station
- BSS's interconnected by distribution system (DS)



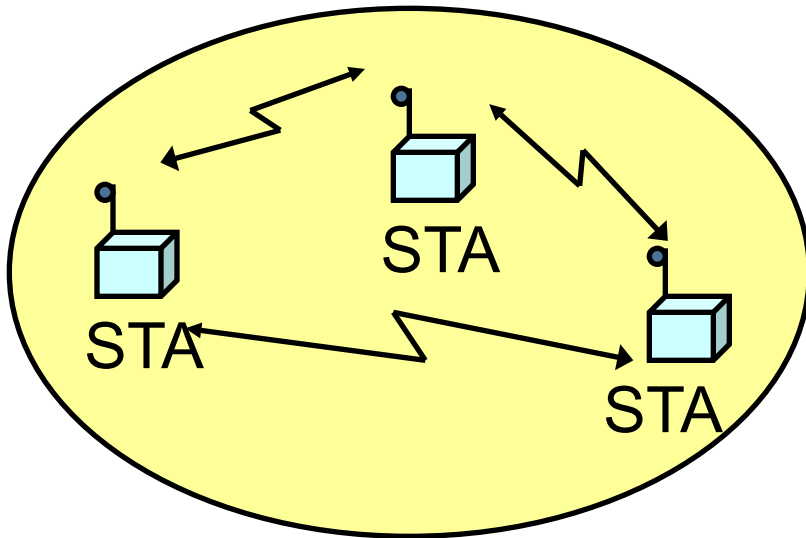
- Ad hoc network: IEEE 802.11 stations can dynamically form a network *without* AP and communicate directly with each other: IBSS Independent BSS
- Applications:
  - “laptop” meeting in conference room, car
  - interconnection of “personal” devices
  - battlefield
- IETF MANET  
(Mobile Ad hoc Networks)  
working group



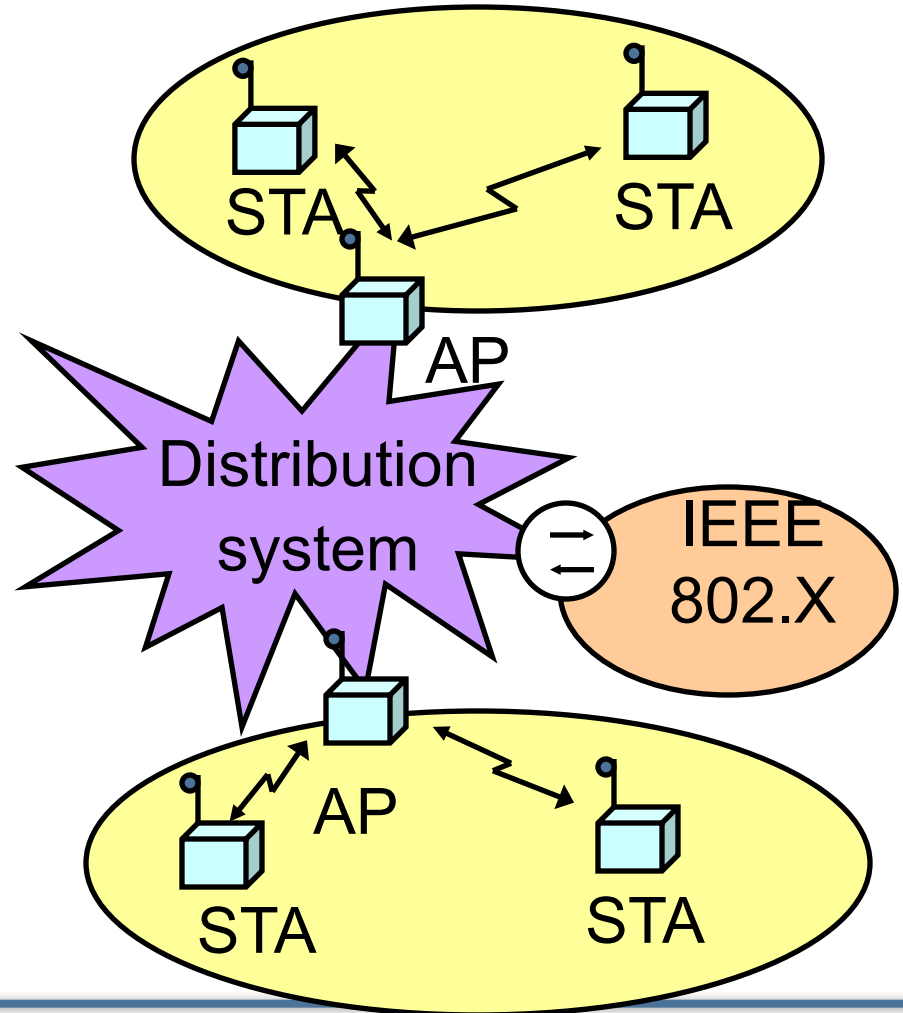


- Several BSSs interconnected with each other at the MAC layer
- The backbone interconnecting the BSS APs (Distribution System) can be a:
  - LAN (802.3 Ethernet/802.4 token bus/802.5 token ring)
  - wired MAN
  - IEEE 802.11 WLAN, possibly meshed (routing problems!)
- An ESS can give access to the fixed Internet network through a gateway node
  - If fixed network is a IEEE 802.X, the gateway works as a bridge thus performing the frame format conversion

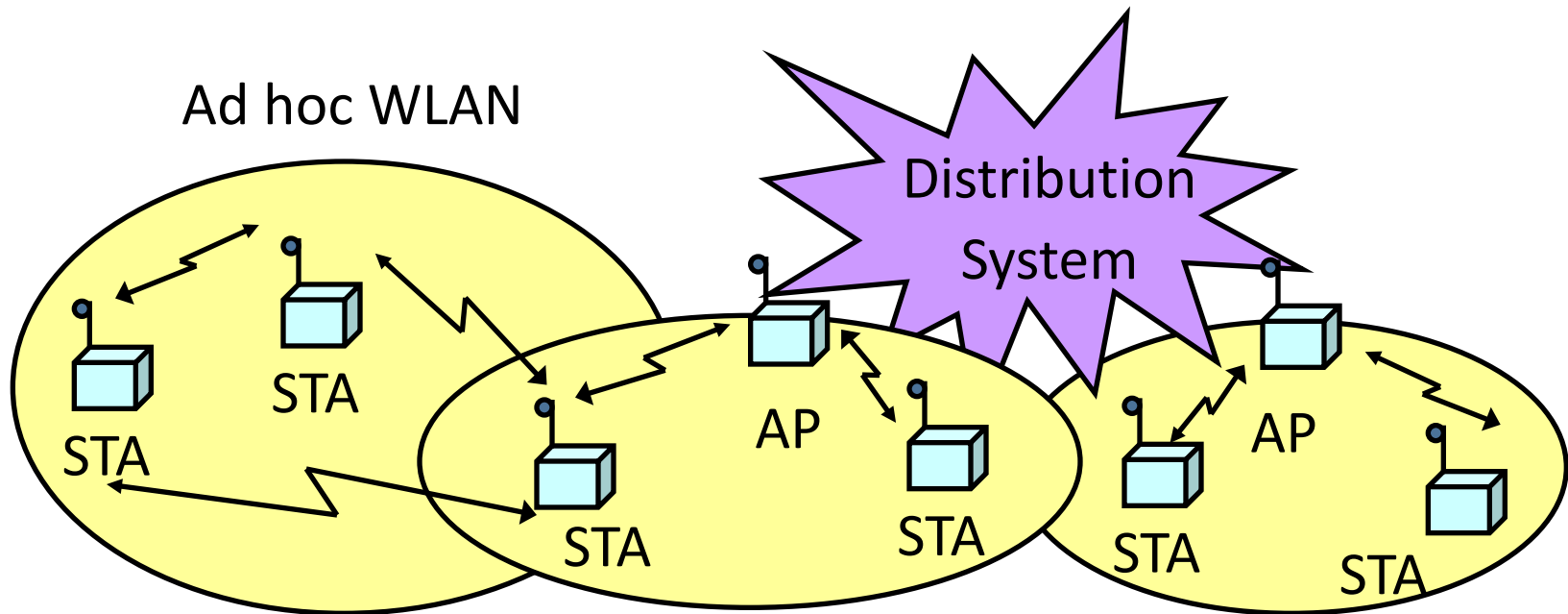
## Ad hoc networking Independent BSS (IBSS)



## Network with infrastructure







WLANs with infrastructure



- 802.11 works on ISM bands
  - around 2.4 GHz
  - around 5.5 GHz
- Specific bands may vary from country to country (but not much)
- Different bands sometimes mandate slightly different implementations of the same PHY/MAC protocol
- Between the PHY/MAC and the 802.2 LLC there are additional functions for registering one interface to the others
  - With infrastructured systems we say to “join a BSS/AP”



- BSS with AP: Both authentication and association are necessary for joining a BSS
- Independent BSS: Neither authentication neither association procedures are required for joining an IBSS



A station willing to join a BSS must get in contact with the AP. This can happen through:

1. Passive scanning
  - The station scans the channels for a Beacon frame that is periodically (100ms) sent by every AP
2. Active scanning (the station tries to find an AP)
  - The station sends a ProbeRequest frame on a given channel
  - All AP's within reach reply with a ProbeResponse frame
  - Active Scanning may be more performing but waste resources



- Beacons are broadcast frames transmitted periodically (default 100ms). They contain:
  - Timestamp
  - TBTT (Target Beacon Transmission Time) – also called Beacon Interval
  - Capabilities
  - SSID (BSSID is AP MAC address + 26 optional octets)
  - PHY layer information
  - System information (Network, Organization, ...)
  - Information on traffic management if present
  - ...
- STA answer to beacons with a ProbeResponse containing the SSID



- **Directed probe:** The client sends a probe request with a specific destination SSID; only APs with a matching SSID will reply with a probe response
  - It is often considered “secure” if APs do not broadcast SSIDs and only respond to Directed Probes ...
- **Broadcast probe:** The client sends a null SSID in the probe request; all APs receiving the probe-request will respond with a probe-response for each SSID they support
  - Useful for service discovery systems



Once an AP is found/selected, a station goes through authentication

- Open system authentication
  - Station sends authentication frame with its identity
  - AP sends frame as an ack / nack
- Shared key authentication (WEP)
  - Stations receive shared secret key through secure channel independent of 802.11
  - Stations authenticate because they use the secret key (weak)
- Per Session Authentication (WPA2)
  - Encryption is AES
  - The key can be shared (home networks) or user-based (enterprise)
  - Encryption is always per-station plus one for broadcast



Once a station is authenticated, it starts the association process, i.e., information exchange about the AP/station capabilities and roaming

- **STA → AP:** AssociateRequest frame
- **AP → STA:** AssociationResponse frame
- In case of Roaming: New AP informs old AP via DS
- Only after the association is completed, a station can transmit and receive data frames





Performs the following functions:

- Resource allocation
- Data segmentation and reassembly
- MAC Protocol Data Unit (MPDU) addressing
- MPDU (frame) format
- Error control



Three frame types are defined

- 1. Control:** positive ACK, handshaking for accessing the channel (RTS, CTS)
- 2. Data Transfer:** information to be transmitted over the channel
- 3. Management:** connection establishment/release, synchronization, authentication.  
Exchanged as data frames but are not reported to the higher layer



- Asynchronous data transfer for best-effort traffic
  - DCF (Distributed Coordination Function)
  - Coordination is done through Inter Frame Spaces
- Synchronous data transfer for real-time traffic (like audio and video)
  - PCF (Point Coordination Function): based on the polling of the stations and controlled by the AP (PC)
  - Its implementation is optional (not really implemented in devices, it also has a bug ... so we skip it!)



- The system is semi-synchronous
  - Maintained through Beacon frames (sent by AP)
- Time is counted in intervals called slots
- A slot is the system unit time
  - its duration depends on the implementation of the physical layer and specifically on the
  - 802.11b:  $20\mu\text{s}$
  - 802.11a/h/g/n/ac:  $9\mu\text{s}$ 
    - g/n are forced to use 20 when coexisting with b
    - g supported a reduced slot



- Interframe space (IFS)
  - time interval between frame transmissions
  - used to establish priority in accessing the channel
- 4 types of IFS:
  - Short IFS (SIFS)
  - Point coordination IFS (PIFS) > SIFS
  - Distributed IFS (DIFS) > PIFS
  - Extended IFS (EIFS) > DIFS
- Duration depends on physical level implementation



- Separates transmissions belonging to the same **dialogue**
- Gives the highest priority in accessing the channel
- Its duration depends on:
  - Propagation time over the channel
  - Time to convey the information from the PHY to the MAC layer
  - Radio switch time from TX to RX mode
- 2.4GHz:  $10\mu\text{s}$
- 5.5GHz:  $16\mu\text{s}$



- Used to give priority access to Point Coordinator (PC)
- Only a PC can access the channel between SIFS and DIFS
- $\text{PIFS} = \text{SIFS} + 1 \text{ time slot}$



- Used by stations waiting to start a contention (for the channel)
- Set to: PIFS + 1 time slot
  - 802.11b: 50 $\mu$ s
  - 802.11a/h/g/n: 34 $\mu$ s





- Used by every station when the PHY layer notifies the MAC layer that a transmission has not been correctly received
- Avoids that stations with bad channels disrupt other stations' performance
- Forces fairness in the access if one station does not receive an ACK (e.g., hidden terminal)
- Reduce the priority of the first retransmission (indeed make it equal to all others)
- **Set to: DIFS + 1 ACK time**

# DCF Access Scheme



- Its implementation is mandatory
- DCF is based on the Carrier Sense Multiple Access/Collision Avoidance (CSMA/CA) scheme:
  - stations that have data to transmit contend for accessing the channel
  - a station has to repeat the contention procedure every time it has a data frame to transmit



802.11 CSMA sender:

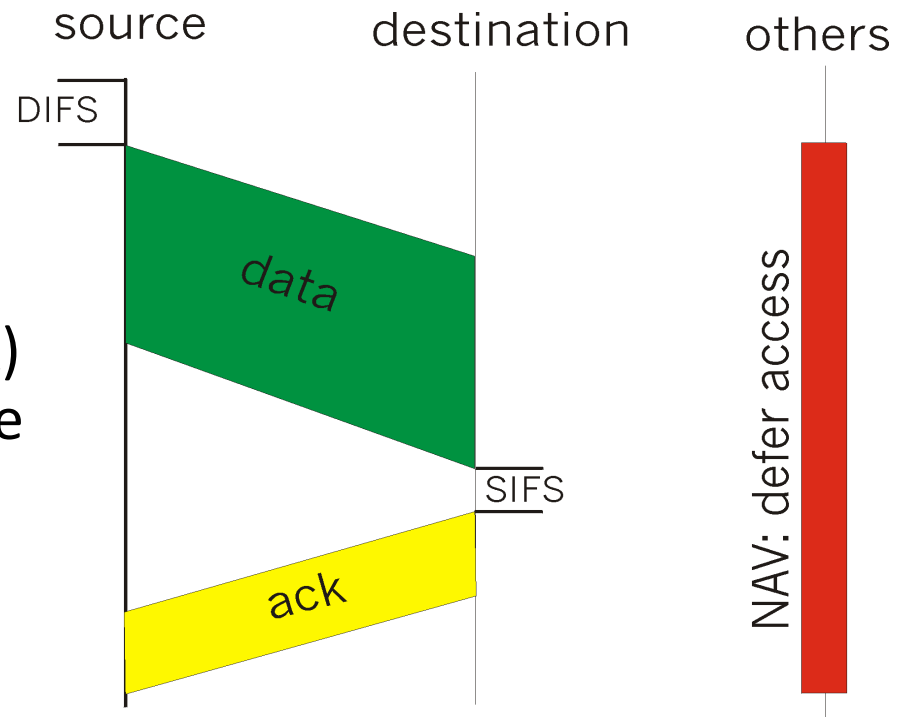
- if sense channel idle for **DIFS** sec.  
then transmit frame

- if sense channel busy  
then random access over a  
contention window  $CW_{min}$  (CA)  
when the channel becomes free

802.11 CSMA receiver:

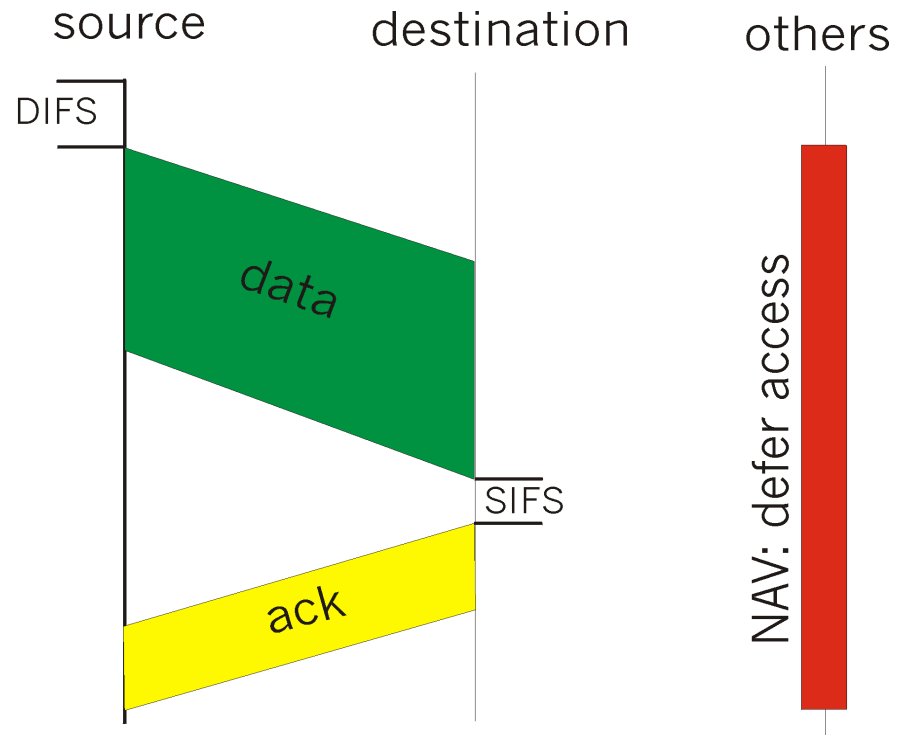
if received OK

return ACK after **SIFS**

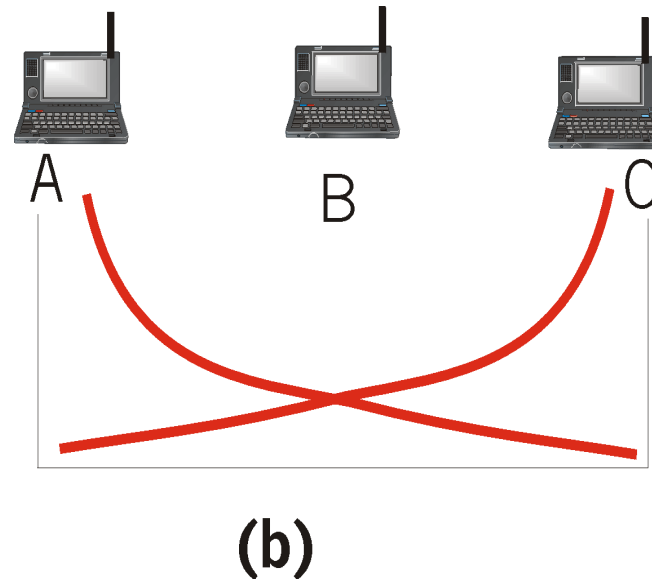
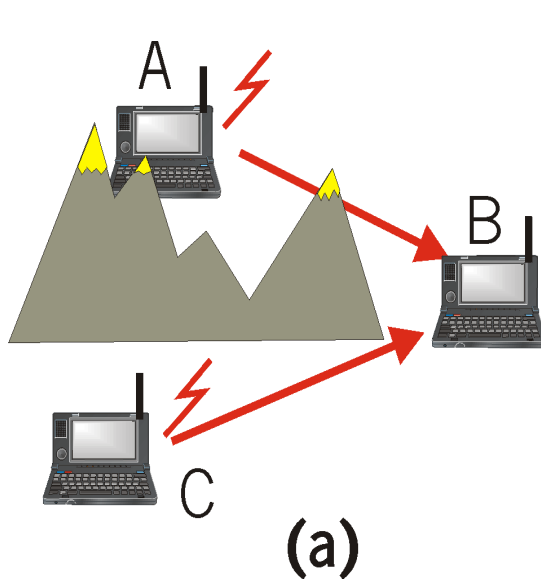


## 802.11 CSMA Protocol others:

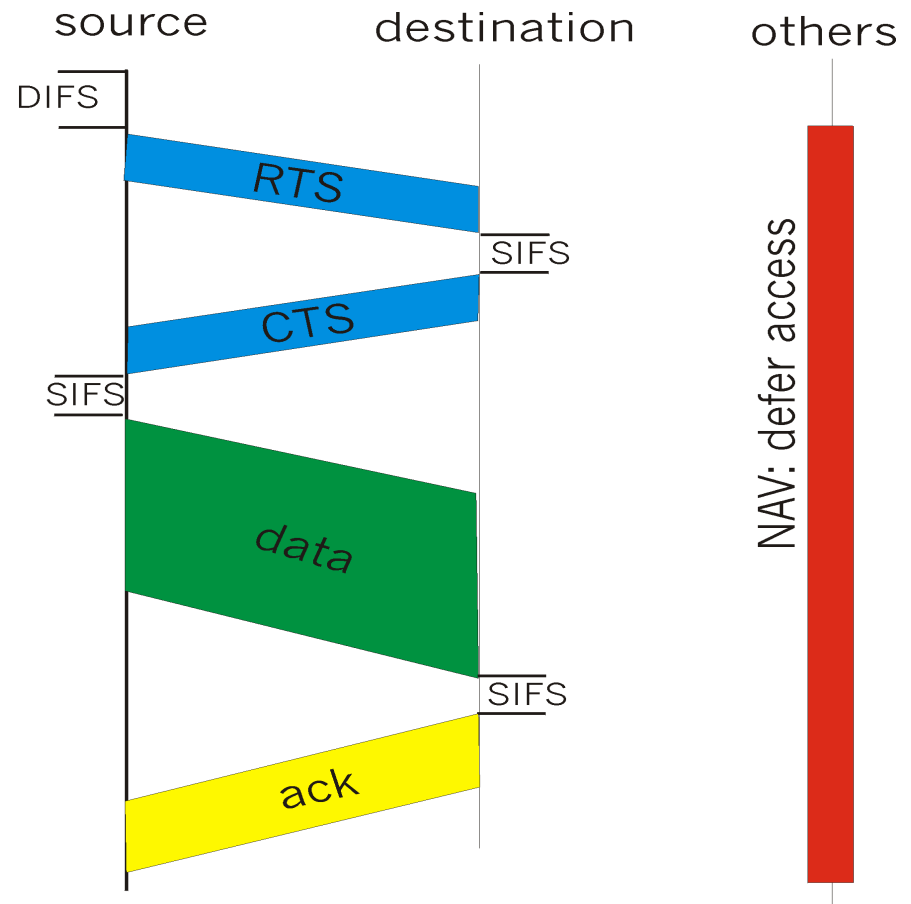
- **NAV: Network Allocation Vector**
  - transmission length field
  - others (hearing data) defer access for NAV time units
  - NAV is contained in the header of **all** frames
  - Allows reducing energy consumption
  - Helps reducing hidden terminals problems



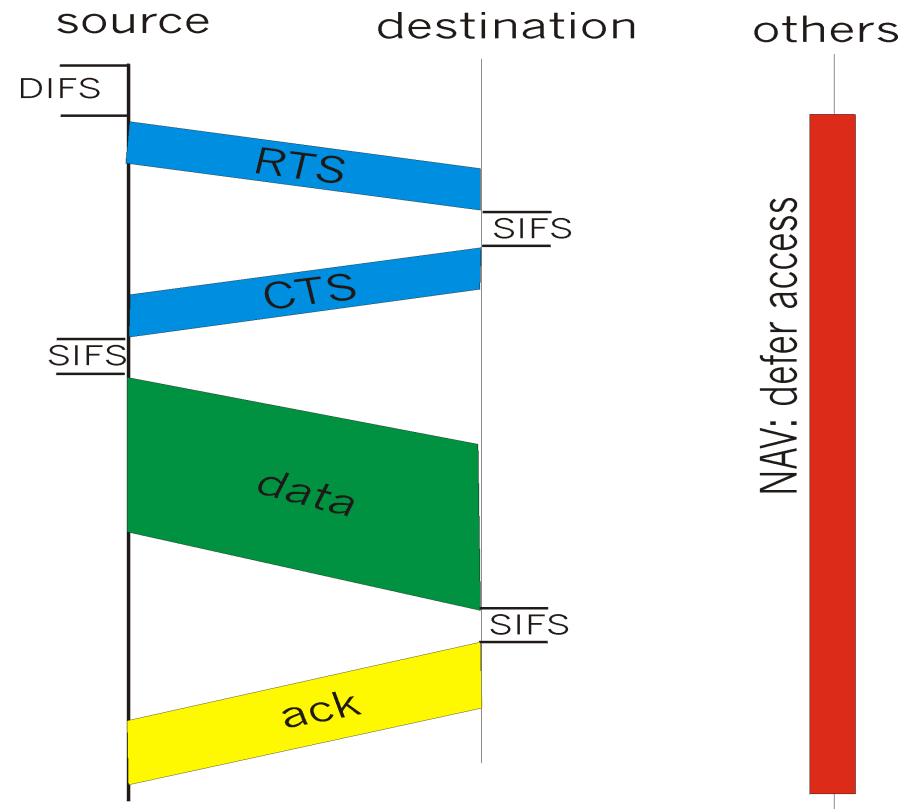
- **hidden terminals: A, C cannot hear each other**
  - obstacles, signal attenuation → (deterministic) collisions at B
- **goal:** avoid collisions at B
- **CSMA/CA with handshaking**



- CSMA/CA: explicit channel reservation
  - sender: send short RTS (request to send)
  - receiver: reply with short CTS (clear to send)
- CTS reserves channel for sender, notifying (possibly hidden) stations
- reduces hidden station collisions
- increase overhead

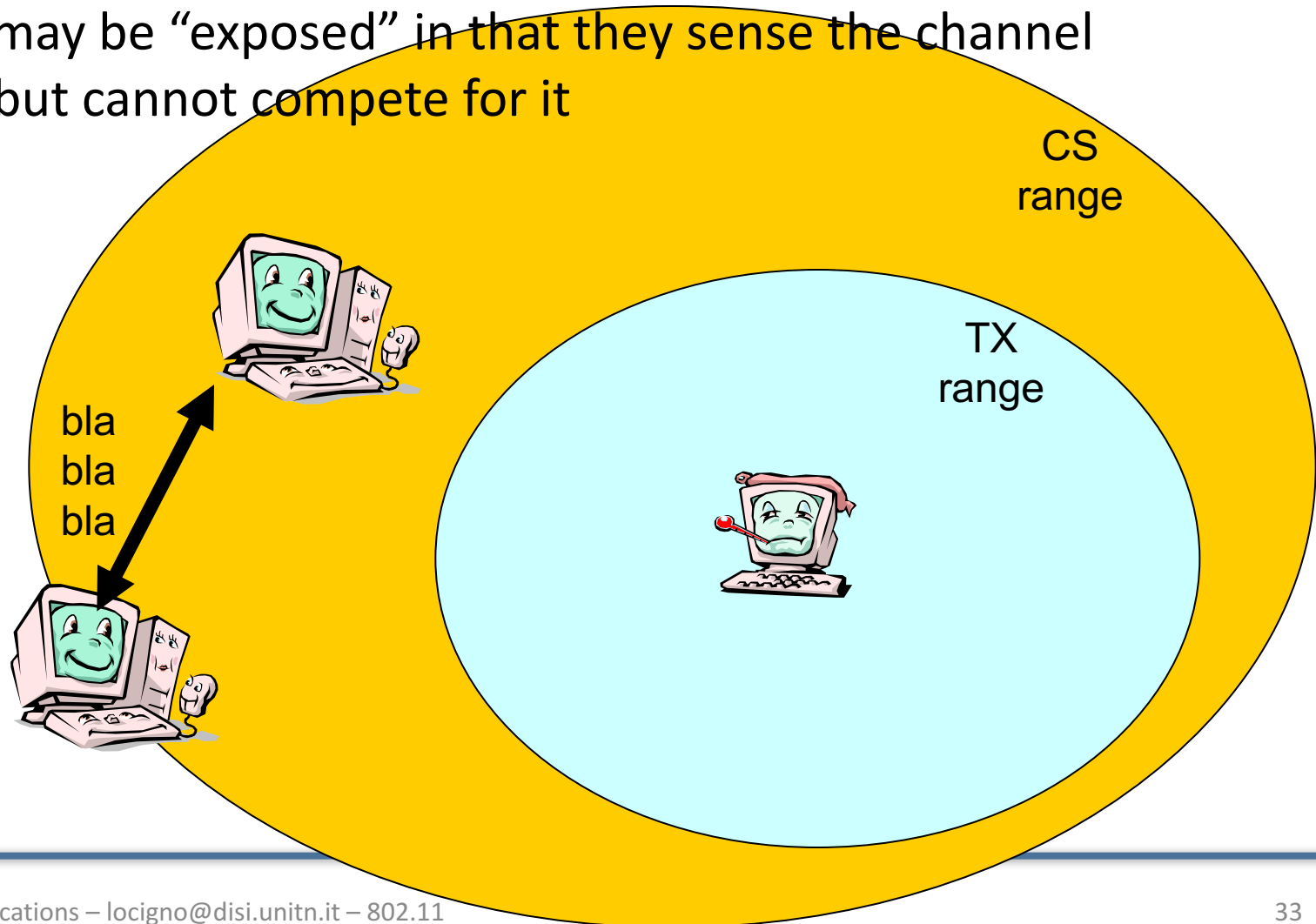


- RTS and CTS are short:
  - collisions of shorter duration, hence less “costly”
- DCF allows:
  - CSMA/CA
  - CSMA/CA with handshaking





- Sensing range is normally larger than receiving range
- Terminals may be “exposed” in that they sense the channel occupied, but cannot compete for it



# DCF

## Basic Access Mode Details



- Used to determine whether the channel is busy or idle
- Performed at the physical layer (physical carrier sensing) and at the MAC layer (virtual carrier sensing)
  - Physical carrier sensing: detection of nearby energy sources
  - Virtual carrier sensing: the frame header indicates the remaining duration of the current Channel Access Phase (till ACK is received)



- Used by the stations nearby the transmitter to store the duration of the dialogue that is occupying the channel
- The channel will become idle when the NAV expires
- Upon the NAV expiration, stations that have data to transmit sense to the channel again



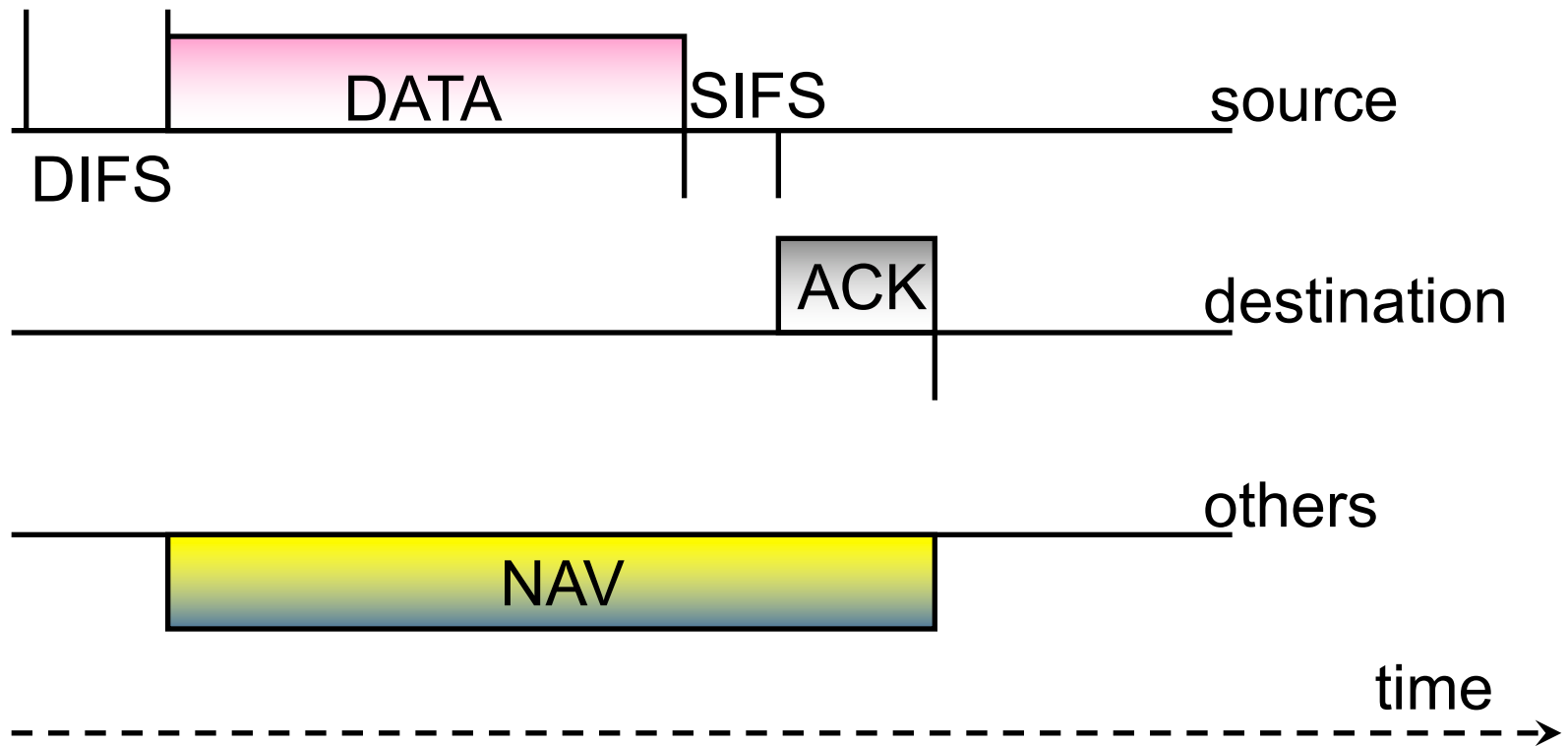
- Transmitter:
  - sense the channel
  - if the channel is idle, wait a time equal to DIFS
  - if the channel remains idle for DIFS, transmit MPDU
- Receiver:
  - compute the checksum verifying whether the transmission is correct
  - if so, it sends an ACK after a time equal to SIFS
  - ACK is only a header with a Tx rate less than or equal to the one used by the transmitter and no larger than
    - 2 Mbit/s in 802.11b
    - 6/12 Mbit/s in 802.11g/a/h/n



- Neighbors:
  - set their NAV to the value indicated in the transmitted MPDU
  - NAV set to: the MPDU tx time + 1 SIFS + ACK time



# MPDU Transmission





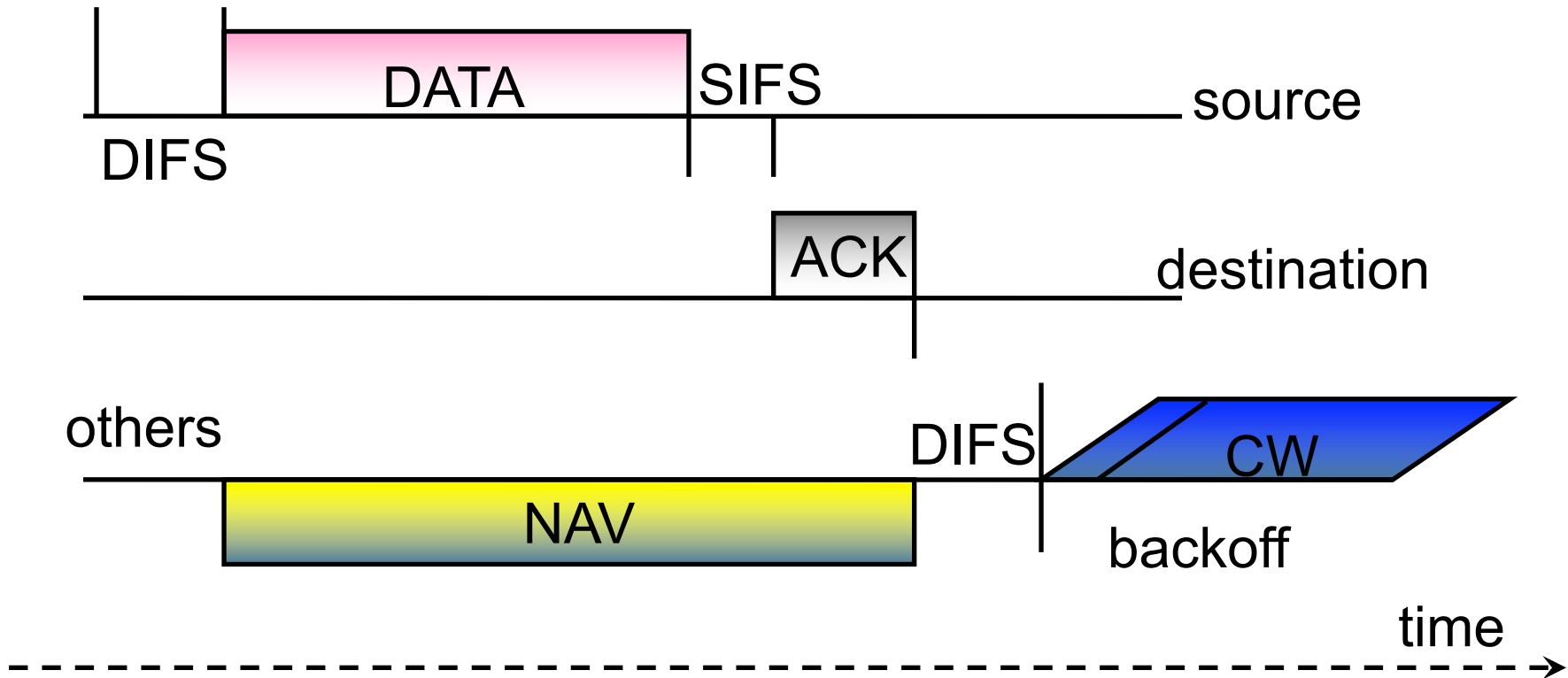
- A frame transmission may fail because of collision or errors on the radio channel
- A failed transmission is re-attempted till a max no. of retransmissions is reached
- ARQ scheme: Stop&Wait





The backoff procedure is run also if no collisions occurred yet but the channel is busy

- If a station senses the channel busy, it waits for the channel to be idle
- As soon as the channel is idle for DIFS, the station
  - computes the backoff time interval
  - sets the backoff counter to this value
- The station will be able to transmit when its backoff counter reaches 0



CW=Contention Window



- Integer value corresponding to a number of time slots
- The number of slots is a r.v. uniformly distributed in  $[0, CW-1]$
- CW is the Contention Window and at **each transmission attempt of the same frame** is updated as:
  - For  $i=1$ ,  $CW_1 = CW_{\min}$
  - For  $i>1$ ,  $CW_i = 2CW_{i-1}$  with  $i>1$  being the no. of consecutive attempts for transmitting the MPDU
  - For any  $i$ ,  $CW_i \leq CW_{\max}$
  - After a successful transmission  $CW_1 = CW_{\min}$



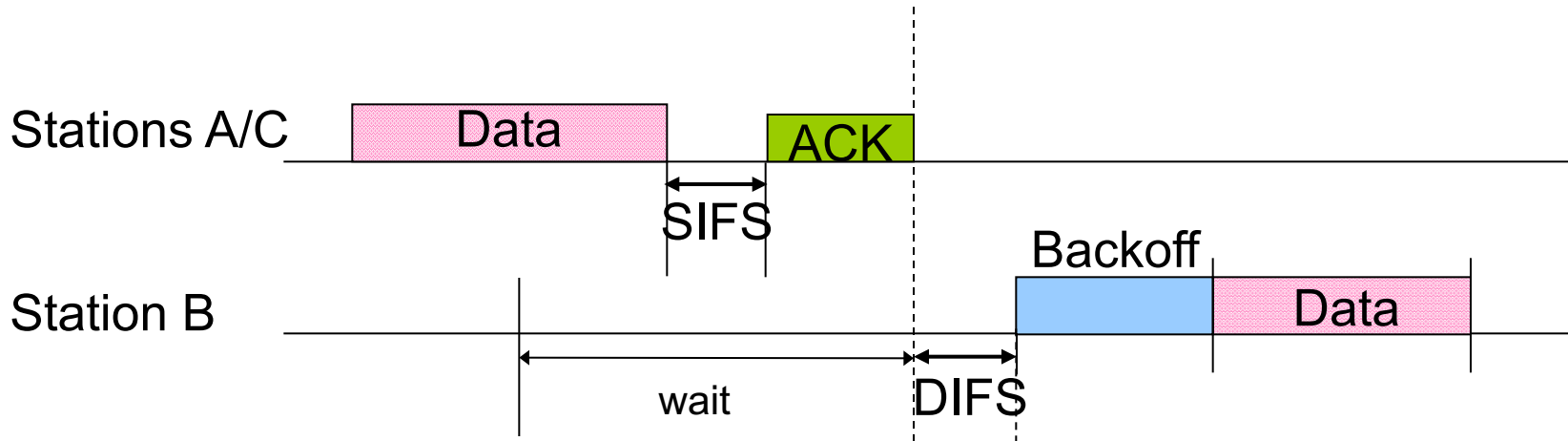
- While the channel **is busy**, the backoff counter **is frozen**
- While the channel is idle, and available for transmission (after sensing it free for DIFS) the station decreases the backoff value (-1 every slot) until
  - the channel becomes busy or
  - the backoff counter reaches 0



- If more than one station decrease their counter to 0 at the same time → collision
- Colliding stations have to re-compute a new backoff value
- A station that lost a contention keeps counting down the old backoff



# Basic DCF: An Example





- A MSDU is fragmented into more than one frame (MPDU) when its size is larger than a certain fragmentation threshold
- All MPDUs have same size except for the last MPDU that may be smaller than the fragmentation threshold
- PHY header is inserted in every fragment
- MPDUs originated from the same MSDU are transmitted at distance of SIFS + ACK + SIFS
- Useful if losses are dominated by random errors
  - Unused today thanks to the use of error correcting codes



- A station recontends for the channel when
  - it has completed the transmission of an MPDU, but still has data to transmit
  - a MPDU transmission fails and the MPDU must be retransmitted → binary backoff
- Before recontending the channel after a successful transmission, a station must perform a backoff procedure with  $CW_{min}$



# DCF

# ACCESS WITH HANDSHAKING



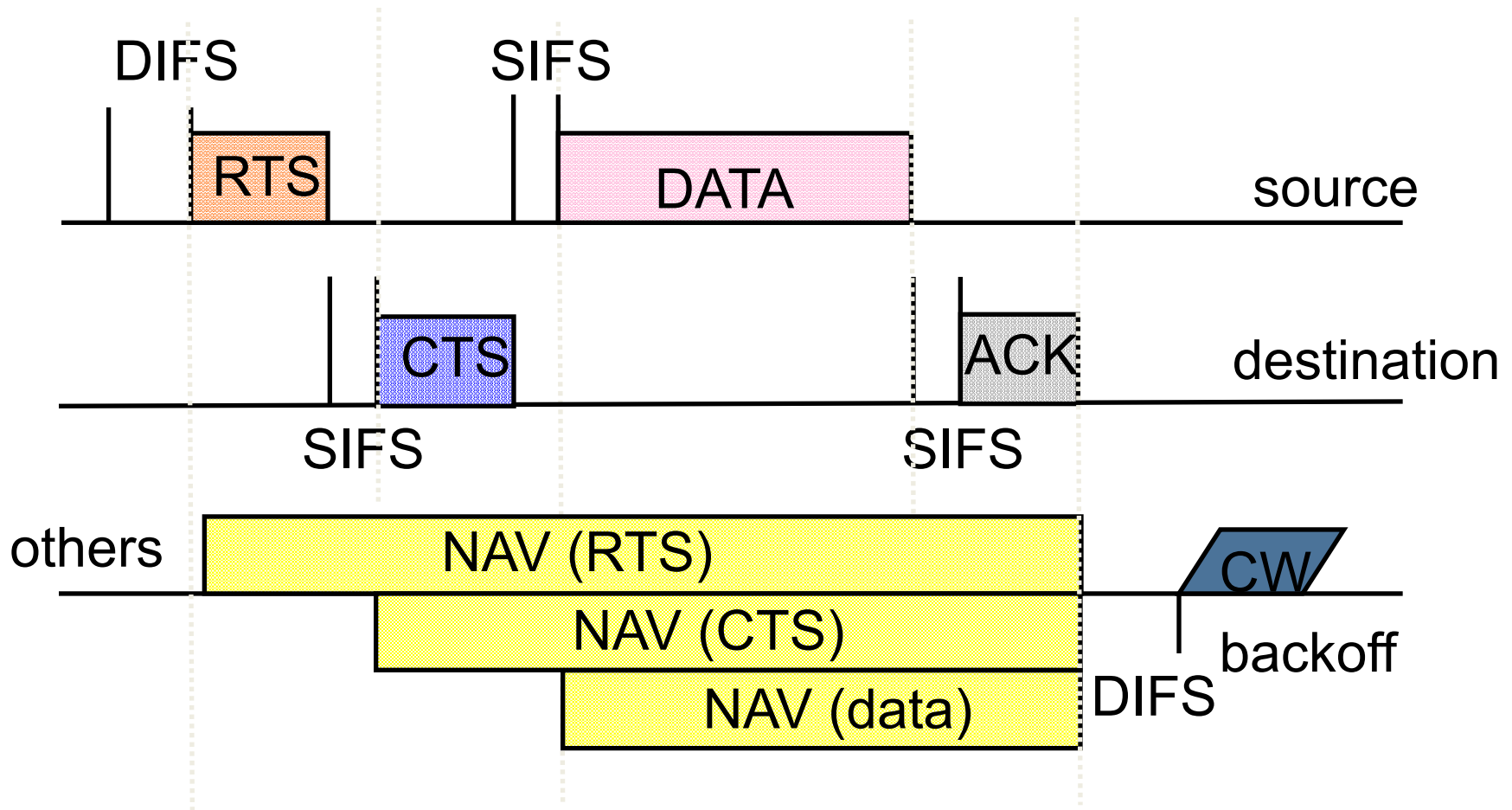
- Used to reserve the channel
- Why?
  - Hidden stations
  - Colliding stations keep transmitting their MPDU; the larger the MPDU involved in the collision, the more bandwidth is wasted
  - Need to avoid collisions, especially when frame is large
  - Particularly useful when a large no. of STAs contend for the channel



- Handshaking procedure uses the Request to send (RTS) and Clear to send (CTS) control frames
- RTS / CTS should be always transmitted @1 (b) (6 a/g/h/n) Mbit/s (they are only headers)
- Access with handshaking is used for frames larger than an RTS\_Threshold

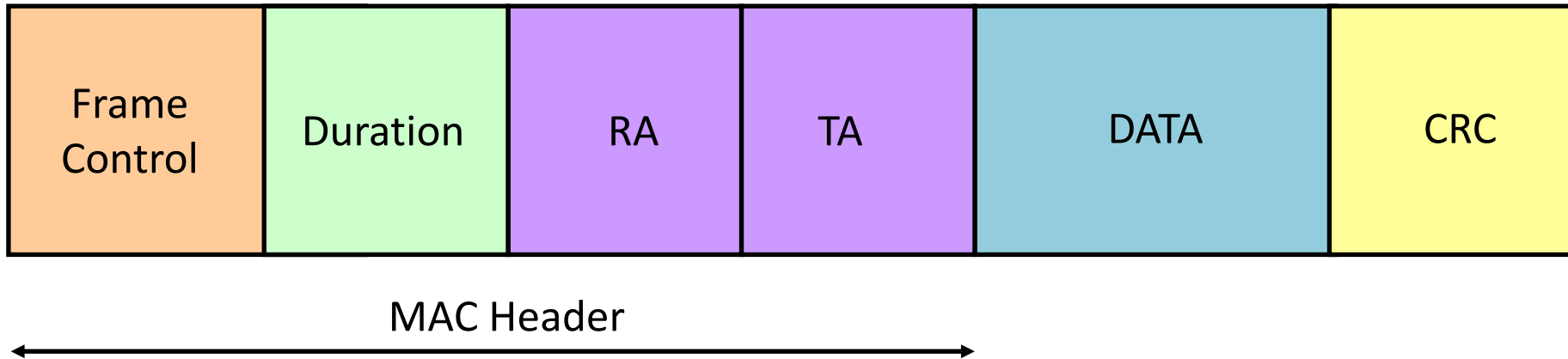


- ✓ **Transmitter:**
  - ✓ send a RTS (20 bytes long) to the destination
- ✓ **Neighbors:**
  - ✓ read the duration field in RTS and set their NAV
- ✓ **Receiver:**
  - ✓ acknowledge the RTS reception after SIFS by sending a CTS (14 bytes long)
- ✓ **Neighbors:**
  - ✓ read the duration field in CTS and update their NAV
- ✓ **Transmitter:**
  - ✓ start transmitting upon CTS reception

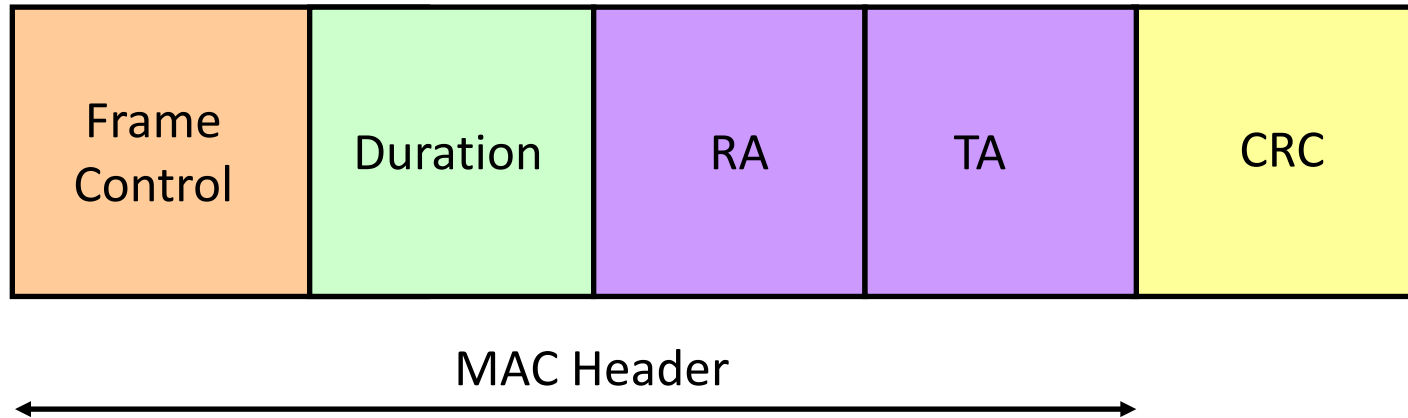




# EXAMPLES OF GENERIC MAC-LEVEL FRAME FORMAT

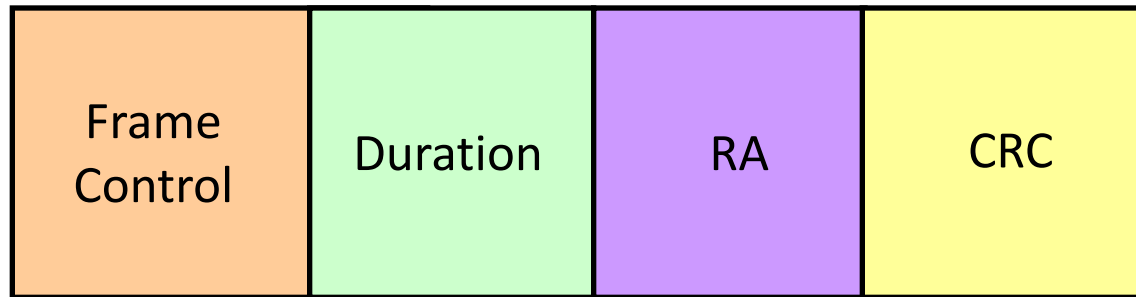


- **Duration** (in  $\mu\text{s}$ ): Time required to transmit next (data) frame + ACK + 1 SIFs
- **RA**: Address of the intended immediate recipient
- **TA**: Address of the station transmitting this frame



- **Duration** (in  $\mu\text{s}$ ): Time required to transmit next (data) frame + CTS + ACK + 3 SIFs
- **RA**: Address of the intended immediate recipient
- **TA**: Address of the station transmitting this frame

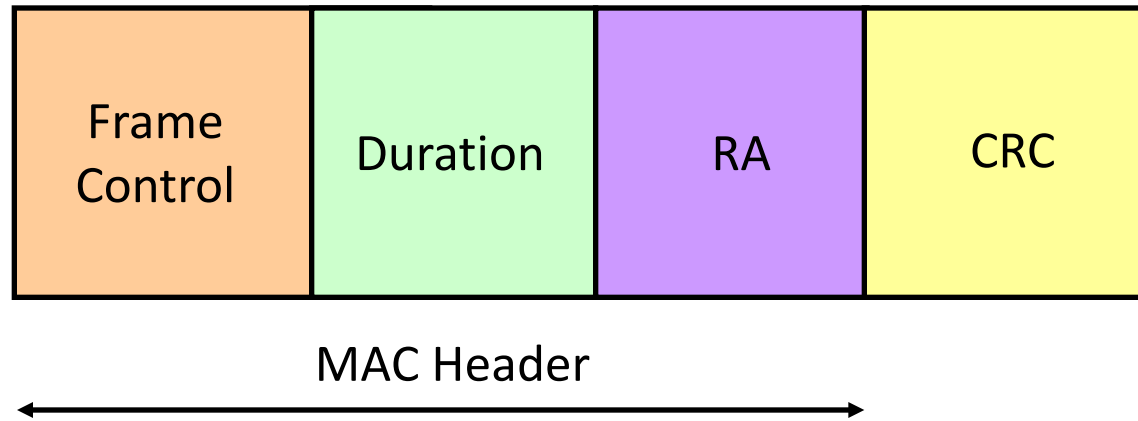




MAC Header



- **Duration** (in  $\mu\text{s}$ ): Duration value of previous RTS frame – 1 CTS time – 1 SIFS
- **RA**: The TA field in the RTS frame



- **Duration:** set to 0 if More Fragments bit was 0, otherwise equal to the duration of previous frame – 1 ACK – 1 SIFS
- **RA:** copied from the Address 2 field of previous frame